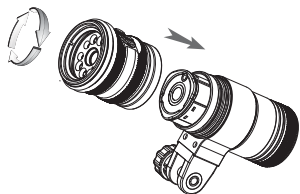


Installing the Battery

Insert the battery into the battery slot, as shown in the diagram below.

Warning!! The polarity of the battery must match the polarity of the contacts on the light. Make sure that the positive and negative poles of the battery align with the positive and negative poles of the light.



Charging the Battery

Step 1: Insert the DC plug into the battery. (As shown in the diagram below).

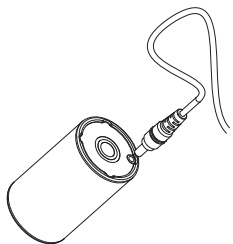
Step 2: Plug the charger into the wall outlet. The charger's indicator will turn red signifying the charger is receiving power.

Step 3: When the battery has finished charging, the charger's indicator will turn green.

Noted: Charge time is approximately 2.5 hours

Attention :

To protect the battery and extend battery life, please do not charge the battery for more than 12 hours.



GENERAL WARNINGS AND INSTRUCTIONS

- * Do not disassemble the diving light.
- * To avoid leaks the O-rings should be checked to ensure that they are free from any dirt, sand, hair and dust every time before you open and close the light. Use a soft cloth to the O-rings if required. The O-rings should also be carefully checked for cracks or blemishes. Gently and evenly apply a thin coat of grease to the entire O-rings regularly to prolong O-ring life. Be care not to scratch the O-ring surface. If cracks or blemishes occur, the O-rings should be replaced immediately.
- * Do not open the light when using in the water.
- * Wash the exterior of the light thoroughly with clean fresh water immediately after use. Soaking the light in fresh water will help to remove salt deposits prior to storage.
- * Do not disassemble, modify, remanufacture, puncture or damage the device or battery.

BATTERY WARNINGS

- * Remove the battery if the light will not be used for long periods of time (e.g., between dive trips).
 - * Do not use a sharp object to remove the battery.
 - * Keep the battery away from children.
 - * Contact your local waste disposal department to dispose of the light/battery in accordance with applicable local laws and regulations.
 - * If using an external battery charger, only use the WEEFINE accessory approved for your product.
 - * Only replace the battery with the correct WEEFINE approved replacement battery. Using an incorrect battery presents a risk of fire or explosion.
- To purchase a replacement battery, see your WEEFINE dealer or the WEEFINE website.

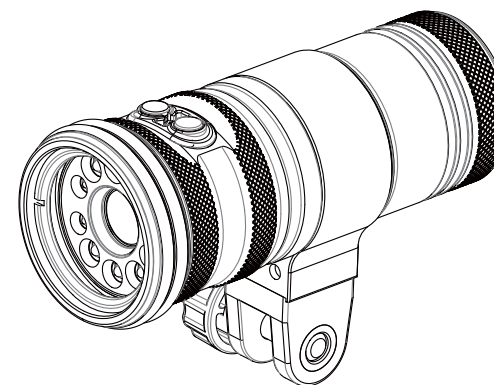
Note: under the special working environment, when the light beads of the high-power LED working in the confined space, droplets maybe coagulated on the surface of glass. Please don't worry, this is the normal phenomenon.

WEEFINE

Smart Focus 3000

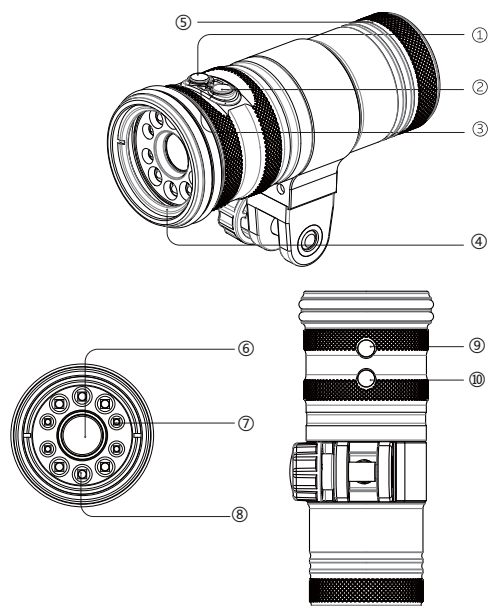
Focus / Video light

USER MANUAL



Please read the manually carefully before using the focus light

Features



- ① Right Button ② Left Button
- ③ Battery Level Indicator LED
- ④ Light Head ⑤ Tail ⑥ Flood Beam LED
- ⑦ Red Beam LEDs ⑧ Blu-ray LED ⑨ Strobe port
- ⑩ Remote port

The remote control is an optional accessory

Standard Accessories

- Focus Light Battery Charger Spare O-rings
- User Manual O-ring Remover

Specifications

Brightness :	3000 lumens White /10W Red /18W blue
Beam Angle :	100°
Burn Time :	Approx. 50 minutes (100% White)
Modes:	White / Red / blue
White Power Level:	100% / 75% / 50% / 25%
Red Power Level:	100% / 50% / 25%
blue Power Level:	100% / 50% / 25%
Battery :	3*18650 wrapped to single cell
Color Temperature :	5000K (White)
Depth Rated :	100m / 330ft
Weight :	505g on land 255g underwater
Dimension :	56(D) x 137(L)mm

Operating Instructions

Turn on: Press the right and left buttons at the same time and hold them down for one second. Then immediately press and release the left button. When the light is turn on it will be in the white light mode at 100% brightness.

Turn off : Press the right and left buttons at the same time and hold them down for two seconds.

Switch mode: (White/Red/Blue/Red+Blue)

When the light is on: Press and immediately release the left button.(White-Red-Blue-Red+Blue-White)

Adjust brightness:(White)

When the white light is on: Press and immediately release the right button.(100%-75%-50%-25%-100%)

Adjust brightness:(Red)

When the red light is on: Press and immediately release the right button.(100%-50%-25%-100%)

Adjust brightness:(Blue)

When the blue light is on: Press and immediately release the right button.(100%-50%-25%-100%)

Adjust brightness:(Red+Blue)

When the Red+Blue light is on: Press and immediately release the right button.(100%-50%-25%-100%)

Flashing signal mode:(White)

Turn on: When the light is off, press the right and left buttons at the same time and hold them down for two seconds.

Turn off: When the light is off, press the right and left

Strobe mode: (White/Red/Blue)

When the light is on, Press the right button and hold it down for 1.5 seconds the Strobe mode will be on and the focus light will be the previous color with a low power. When the strobe mode is on, press the right button and hold it down for 1.5 seconds the Strobe mode will be off and the light will be back to the previous mode.

Switch mode: (White/Red/Blue) (Strobe mode)

When the light is on: Press and immediately release the left button.(White-Red-Blue-White)

Adjust brightness:(White) (Strobe mode)

When the white light is on: Press and immediately release the right button.(100%-50%-25%-0%-100%)

Adjust brightness:(Red) (Strobe mode)

When the red light is on: Press and immediately release the right button.(100%-50%-0%-100%)

Adjust brightness:(Blue) (Strobe mode)

When the blue light is on: Press and immediately release the right button.(100%-0%-100%)

Automatic Protection Against Overheating

When the light is used in areas in which the ambient temperature is higher than 50 °C, the light will automatically reduce the brightness to 20%, this will reduce heat and protect the light components from damage.

Safety Mode

When the battery is almost exchanged, the light output drops automatically to 20% the light turns off after enters Safety Mode in approximately 10 minutes. Unable to switch the mode and adjust the brightness.

Battery Level Indicator

There are four colors to indicate the amount of power remaining in the battery and the function modes.

Blue	approx. 100%~80%
green	approx. 80~30%
Red	approx. 30~10%
Single Blinking Red	approx. 10~0%
Triple Dual Blinking	The Current mode is Strobe Mode